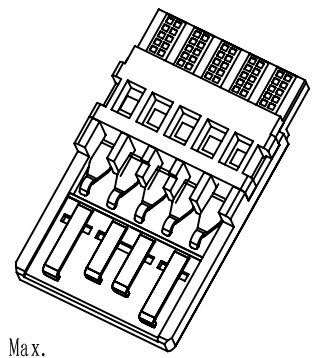
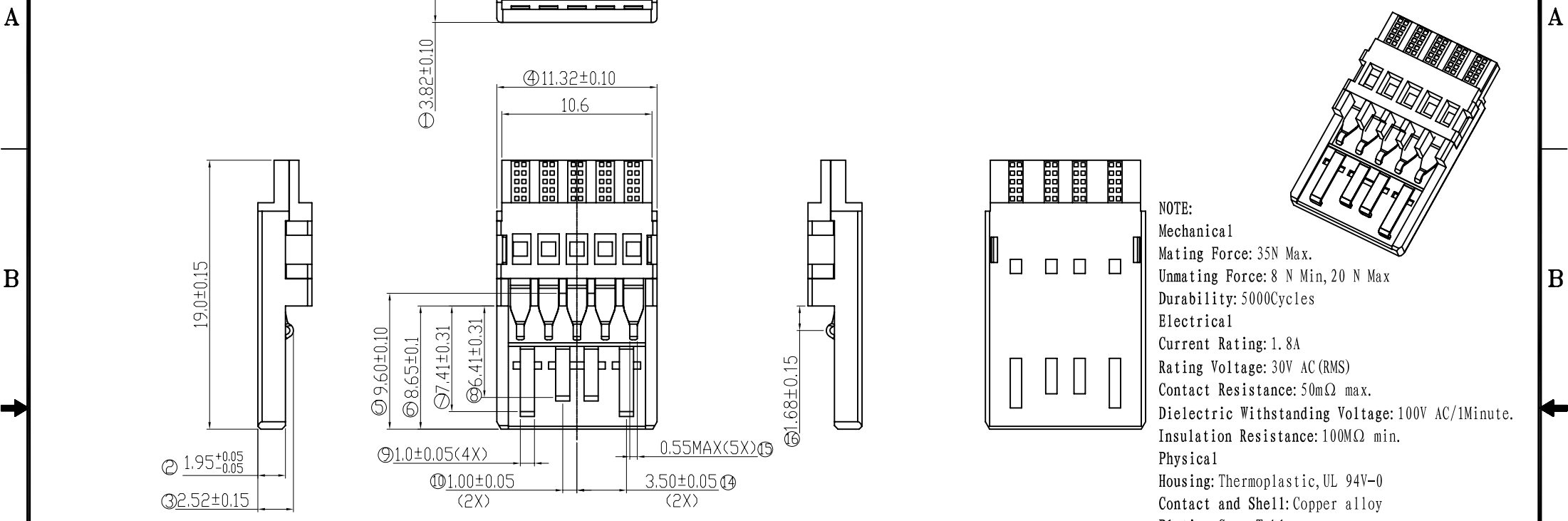


1 2 3 4 5 6

REVISIONS			
REV.	DESCRIPTION	DATE	REVISED BY



NOTE:
 Mechanical
 Mating Force: 35N Max.
 Unmating Force: 8 N Min, 20 N Max
 Durability: 5000Cycles
 Electrical
 Current Rating: 1.8A
 Rating Voltage: 30V AC(RMS)
 Contact Resistance: 50mΩ max.
 Dielectric Withstanding Voltage: 100V AC/1Minute.
 Insulation Resistance: 100MΩ min.
 Physical
 Housing: Thermoplastic, UL 94V-0
 Contact and Shell: Copper alloy
 Plating: See Table
 Operating Temperature: -55° to+85°

料号设变:
 USB3-B03901ZPXX

- 01: 端子电镀G/F
- 03: 端子电镀3U"
- 05: 端子电镀5U"
- 10: 端子电镀10U"
- 15: 端子电镀15U"
- 30: 端子电镀30U"

- 备注:
1. 胶芯材质: PBT 浅蓝色
 2. 端子材质: 4P黄铜+5P磷铜
 3. 端子镀层: Ni: 50U"Min
 Au: G/F(3U"5U"10U"15U"30U")
 Sn: 100U"Min
 4. 带序号的为重点检验尺寸

EBE
 EBE TECHNOLOGY(HK) LIMITED

GENERAL TOLERANCE		Description	USB3.0 A公 注塑成型		Third Angle Projection	
X.	±0.20	X°	±2°	Customer Name	Drawing By	王超
X.X	±0.15	X.X°	±1°	Customer No.	Designed By	
X.XX	±0.13	X.XX°	±0.5°	Produce No.	Approved By	许代略
		Date	2011.09.06	Scale	FIT	
				Units	<input checked="" type="checkbox"/> MM <input type="checkbox"/> Inch	REV A/0

1 2 3 4 5 6

1

2

3

4

5

6

A

A

B

B

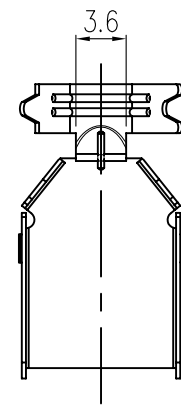
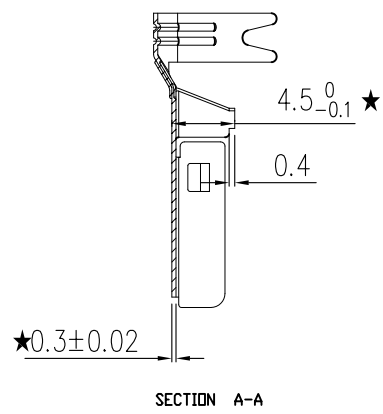
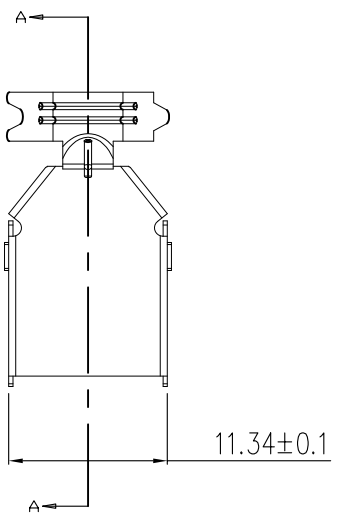
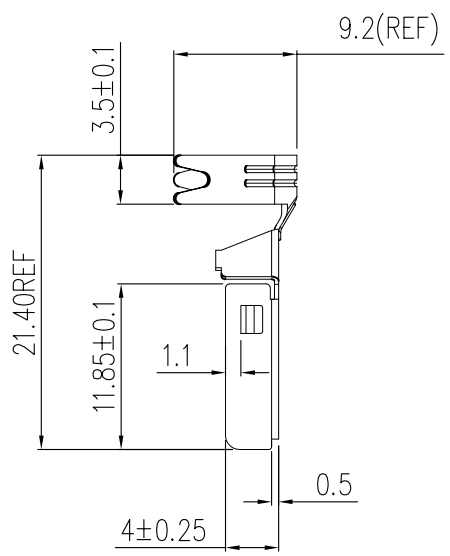
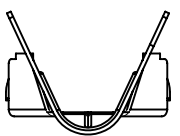
C

C

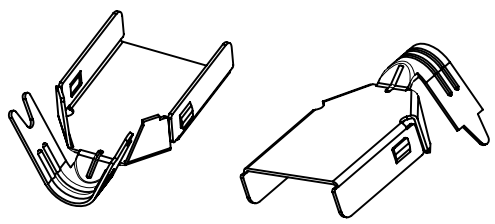
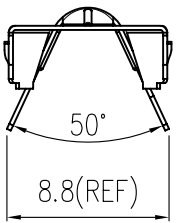
D

D

REVISIONS			
REV.	DESCRIPTION	DATE	REVISED BY



★0.3±0.02



HOW TO ORDER
USB3-C00502AF0X

- 2: PLATING Au
- 4: PLATING Ni

★STRESS REPRESENTATIVE SIZE

1	SHELL	SPCC	OVEP-PLATING: Ni Or Au
ITEM	DESCRIPTION	MATERIAL	REMARKS



EBE TECHNOLOGY (HK) LIMITED

GENERAL TOLERANCE		Description	USB3.0 A公 后盖			Third Angle Projection	
X.	± 0.20	X°	± 2°	Customer Name	Drawing No.	资巧云	
X.X	± 0.15	X.X°	± 1°	Customer No.	Designed By	王超	
X.XX	± 0.13	X.XX°	± 0.5°	Produce No.	Approved By	李建清	
Date		2010.09.13	Scale	1:1		Units	<input checked="" type="checkbox"/> MM <input type="checkbox"/> Inch
						REV	A/0

1

2

3

4

5

6

A

A

B

B

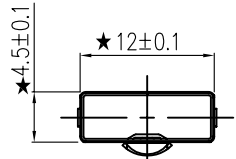
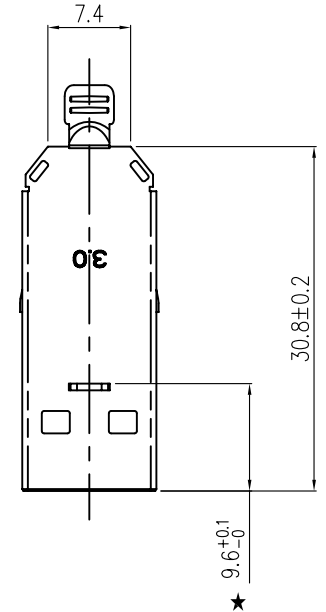
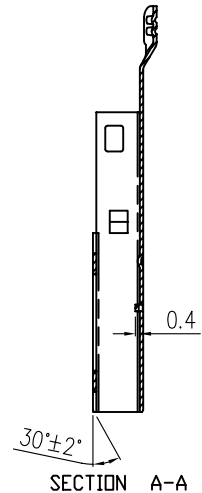
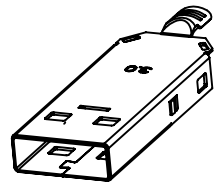
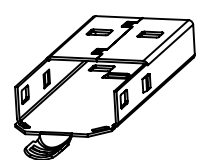
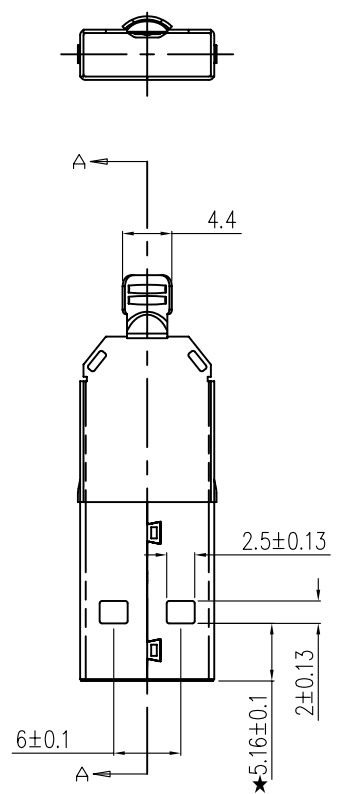
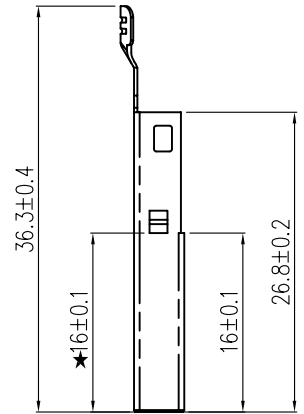
C

C

D

D

REVISIONS			
REV.	DESCRIPTION	DATE	REVISED BY



HOW TO ORDER
USB3-C00501AFOX

- 2: PLATING Au
- 4: PLATING Ni

★STRESS REPRESENTATIVE SIZE

ITEM	DESCRIPTION	MATERIAL	REMARKS
1	SHELL	SPCC	OVEP-PLATING: Ni Or Au

EBE
EBE TECHNOLOGY(HK) LIMITED

GENERAL TOLERANCE		Description	USB3.0 A公 主体铁壳		Third Angle Projection	
X.	±0.20	X°	±2°	Customer Name	Drawing By	资巧云
X.X	±0.15	X.X°	±1°	Customer No.	Designed By	王超
X.XX	±0.13	X.XX°	±0.5°	Produce No.	Approved By	李建清
Date		2010.09.13	Scale	1:1		Units
				<input checked="" type="checkbox"/> MM	REV	
				<input type="checkbox"/> Inch	A/0	